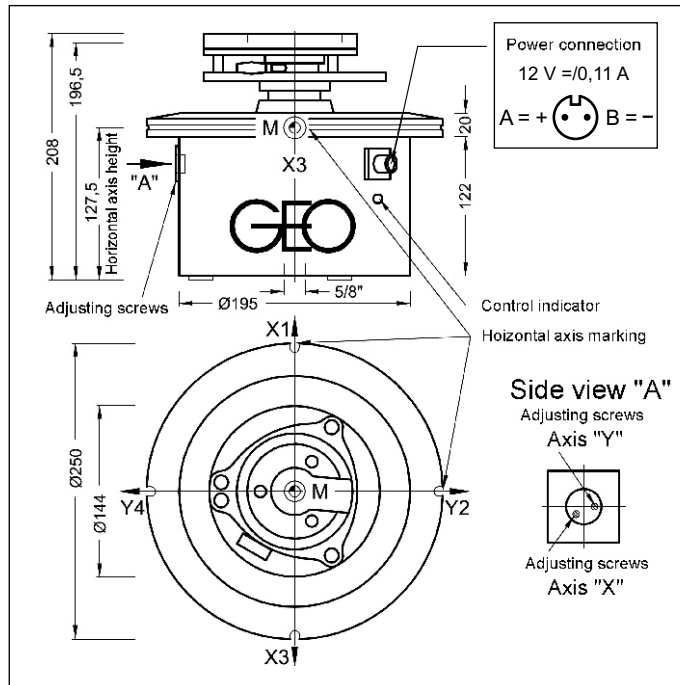


Automatic Tripod AD-12





Function

The automatic tripod AD-12 is used for automatic levelling of laser and surveying instruments, especially total stations. It can naturally also be used for automatic levelling of other devices with weights up to 10 kg. The levelling range is +/- 12 gon. Levelling is continuous with an accuracy of 10 mgon. All components including the servomotors, adjustment units, inclinometers and measuring and control electronics are integrated into a dust and waterproof housing.

Assembly

The automatic tripod AD-12 is fastened to a stand or platform with a central retaining screw 5/8". Orientation of the horizontal axes is possible via notch markings. The theodolite or total station is placed in the tripod positively centred and locked in position.

Power Supply

Connect the AD-12 to a 12 V rechargeable battery (EB-12) or power pack (NE-12/2) with a connection cable.

Control Indicator

The operating statuses are indicated by an LED under the connection box. Possibilities:
 blinking green light: faulty levelling
 steady green light: in operation
 steady amber light: inadequate power supply

Adjustment

The level can be set with the adjusting screws located behind a cover screw at the side of the AD-12.

Maintenance

The AD-12 requires no special maintenance. It should, however, be protected from strong dirt.

Technical Specifications

- Levelling range in 2 axes: to +/- 12 gon
- Levelling range in 1 axis: to +/- 18 gon
- Levelling accuracy: +/- 10 mgon
- Positive centring: Wild system
- Power supply: 11 - 16 VDC/0.11 A
- Carrying capacity: to 10 kg
- Weight: 6.3 kg
- Guarantee: 24 months

GEO - partner of the construction industry for over 50 years



For further information please call or email us

GSR LASER TOOLS
 SERVING AUSTRALIA SINCE 1984
 MEASURING, levelling and layout solutions for all trades
 Mining - Aligning - Engineering - Environmental - Civil Construction
 Surveying - Geological - Glass Testing - Speed Detection

GSR Laser Tools
 Unit 7 / 7 Prindiville Drive - Wangara WA 6027
 Ph: 08 9409 4058
sales@gsrlasertools.com.au - www.gsrlasertools.com.au