



Panel-Mount Inclinometer

Simple visual display and warning for operators

The Panel-Mount Inclinometer provides a simple roll only or pitch and roll display to operators. In roll only mode, a configurable warning bar gives a clear indication of the severity of the current roll. The panel mount inclinometer was designed as a more versatile replacement for mechanical bubble and ball inclinometers.

Superior Versatility

Designed for harsh automotive environments, the Panel-Mount Inclinometer features a tough aluminium enclosure and high visibility display. The unit is designed to be mounted in the dash-board of a vehicle or in an instrument panel and will protrude only slightly.

The panel-mount inclinometer can be calibrated and configured via the touch-screen with the following options available to the installer:

- Degrees or percentage grade display
- Roll only or pitch and roll display
- Maximum allowable roll
- Sensor damping
- Touch-screen disable
- Password protection on or off

The panel-mount inclinometer is simple to install and only requires connection to positive and negative power to operate. It can be installed at any pitch angle (for instance on a sloped dashboard) but should be as close as possible to horizontal. Small roll deviations can be compensated for by calibrating the device.

GSR Laser Tools
Unit 7 / 7 Prindiville Drive
Wangara WA 6065
Ph: 61-(8) 9409 4058

Email: sales@gsrlasertools.com.au



Roll only display with warning bar at maximum



Pitch and Roll display with menu icon showing



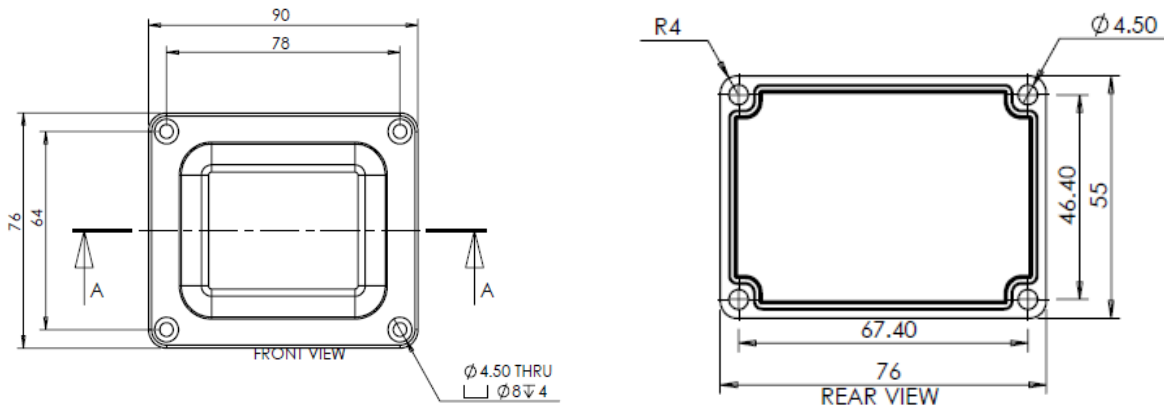
Main configuration menu

Panel-Mount Inclinometer

Simple visual display and warning for operators

Technical Specifications

Input voltage	Minimum 9V, Maximum 36V
Power consumption (W)	Maximum 1.2W (100mA @ 12V)
Dimension - flange	90mm wide x 76mm high
Dimension - display	50mm wide x 39mm high
Dimension - panel cut	80mm wide x 60mm high 25mm depth
Accuracy	1 degree from 0 to 30 degrees, 2 degree from 30 to 60 degrees
Update rate	10 times per second (10Hz)
Operating temperature	-20°C to + 50°C



Touch Screen Operation

To access the menu, lightly touch the screen. A menu icon will appear in the bottom right corner, press this icon.

Units : Change the displayed pitch and roll between degrees and percentage

Configure sensor : Calibrate the unit to offset mounting errors or set sensor damping to speed up or slow down the sensor response.

Configure Display

Set-scale : Set the upper limit for the warning bar at which point it will show red.

Brightness : Set display back-light brightness.

Display Pitch/Roll : Choose between roll only or pitch and roll display.

Configure Touch Screen

Calibrate : Only do this if you find that the co-ordinates of the touch screen are not lining up with the expected action. For instance if you press "a" and get "s" on the keypad.

Disable: Be careful before locking out the touch screen , it is not reversible except by Hummingbird Electronics.

Configure Password : Enable and set the password protection to prevent changes from being made.

Unit 7 - 7 Prindiville Drive
Wangara, Western Australia 6065
Phone: +61 8 9409 4058
Fax: +61 8 9409 4068

www.gsrlasertools.com.au

Email : sales@gsrlasertools.com.au